



STANDALONE 1-8 DOOR SYSTEM

Includes most of the features you would expect from an online system!

- 1-8 door standalone access control system
- State-of-the-art touch screen display
- Seamless upgrade to the IXP200

IXP20 2 DOOR STANDALONE SYSTEM CONTROLLER GB/ISC921

Two door controller complete with full-colour touch screen programmer. Expand two doors at a time using the GB/IPS920i to a maximum of 8 full anti-passback doors

IXP20 2 DOOR STANDALONE SYSTEM CONTROLLER GB/ISC920

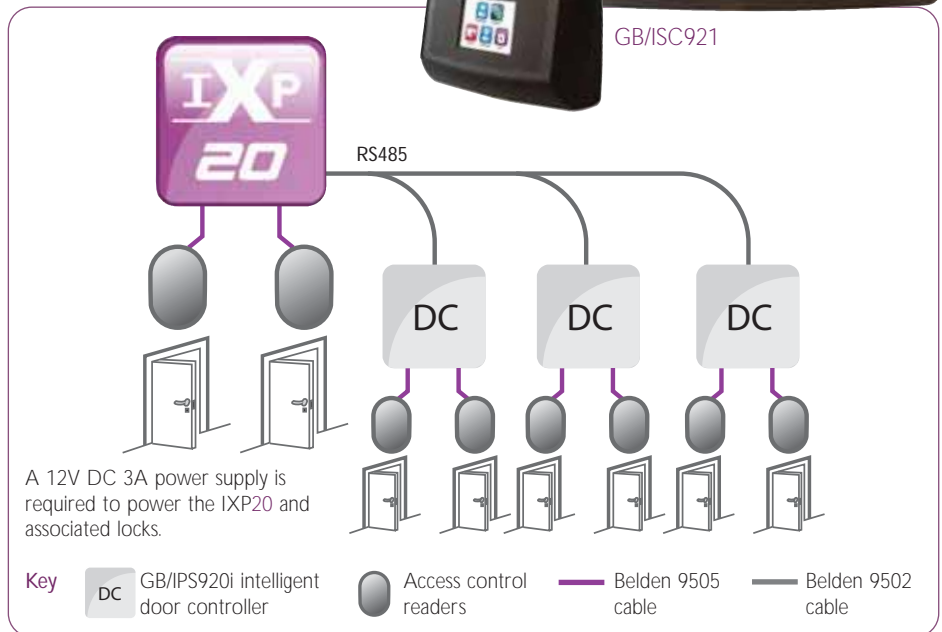
Two door controller without a programming screen for PC/web interface programming only.

- The GB/ISC921 features a colour 2.5" touch screen display for manual configuration, including:
 - Access groups
 - Named tagholders
 - Intuitive menu for programming with icons
 - Optional web interface for programming
 - Up to 1,000 users
 - Onboard reporting
 - Onboard diagnostics
 - Simple and advanced system configuration
 - Screen lock for configuration security



2 DOOR STANDARD EXPANSION CONTROLLER GB/IPS920i

Two door controller housed in a mild steel cabinet with a 3 amp switch mode supply suitable for all standard lock types as well as pulse, solenoid and motorised locks. It has 9 status LEDs, can support the full range of Impro readers as well as 3rd party readers and features an onboard memory of 10,000 tags.



READERS

The IXP20 system is compatible with all of the readers shown on page 8 and 9, including the new Multi-Discipline Reader, capable of reading Impro tags and cards plus HID, iClass, Mifare and many other 3rd party card technologies.



GB/MDK900

GB/MDR900

t: 01442 230800
 f: 01442 244729
 e: sales@bpt.co.uk
 w: www.bpt.co.uk

BPT Security Systems (UK) Ltd, Unit 16, Sovereign Park, Cleveland Way, Hemel Hempstead, HP2 7DA



Impro is fully supported and distributed by:
BPT Security Systems
(UK) LTD

